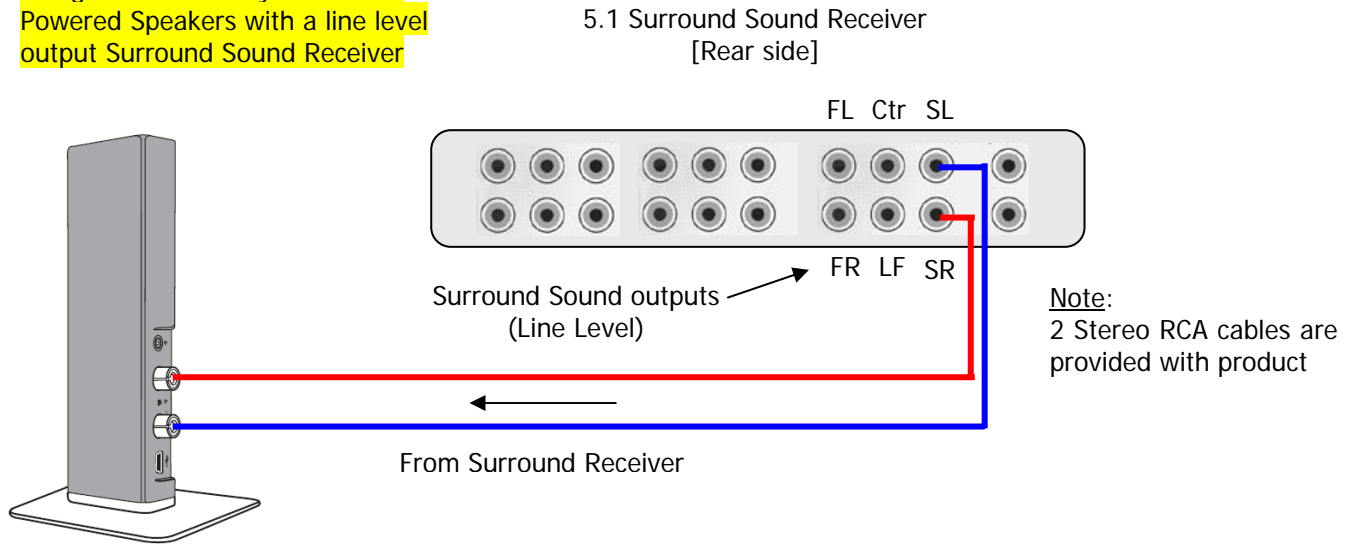


Surround Sound applications using the SubCast System

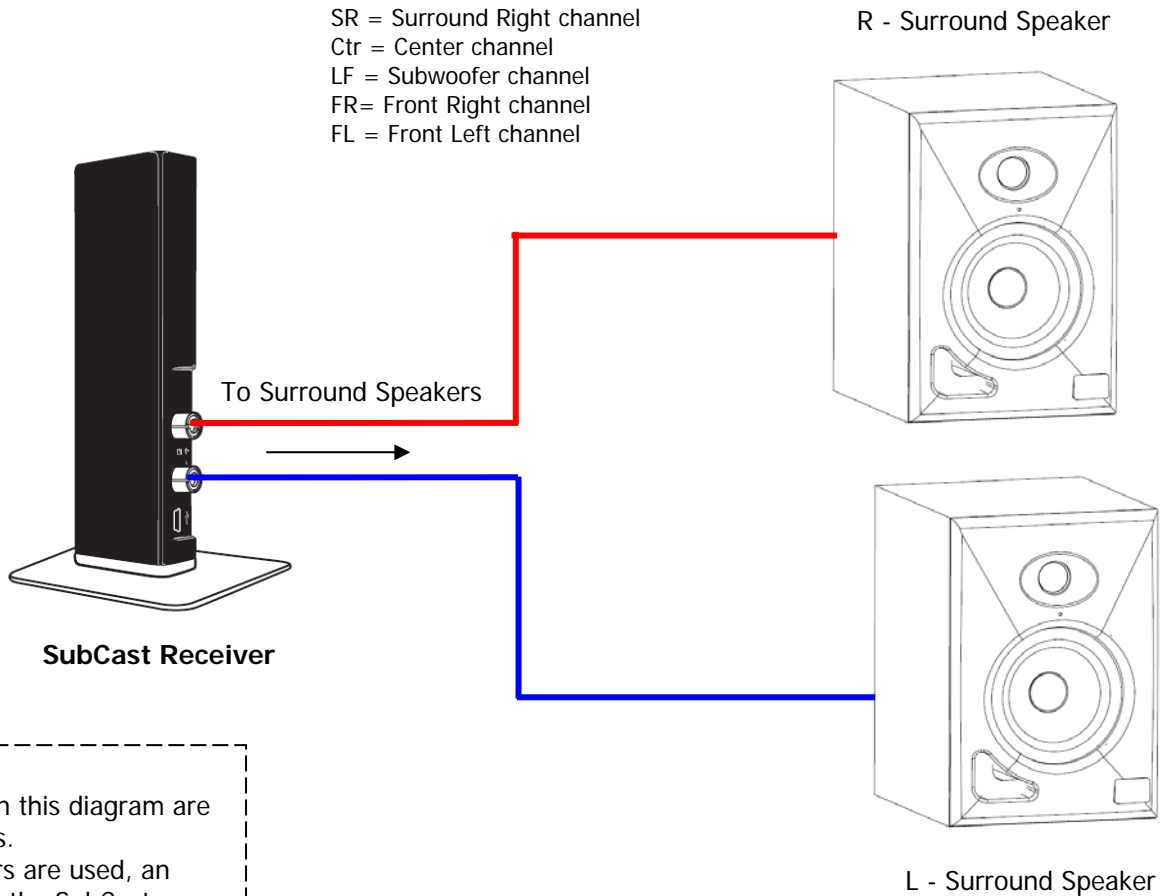
Application Diagram **SUBCAST-SR#1**

Using the SubCast System and 2 Powered Speakers with a line level output Surround Sound Receiver



5.1 Audio Receiver abbreviations.

SL = Surround Left channel
 SR = Surround Right channel
 Ctr = Center channel
 LF = Subwoofer channel
 FR = Front Right channel
 FL = Front Left channel



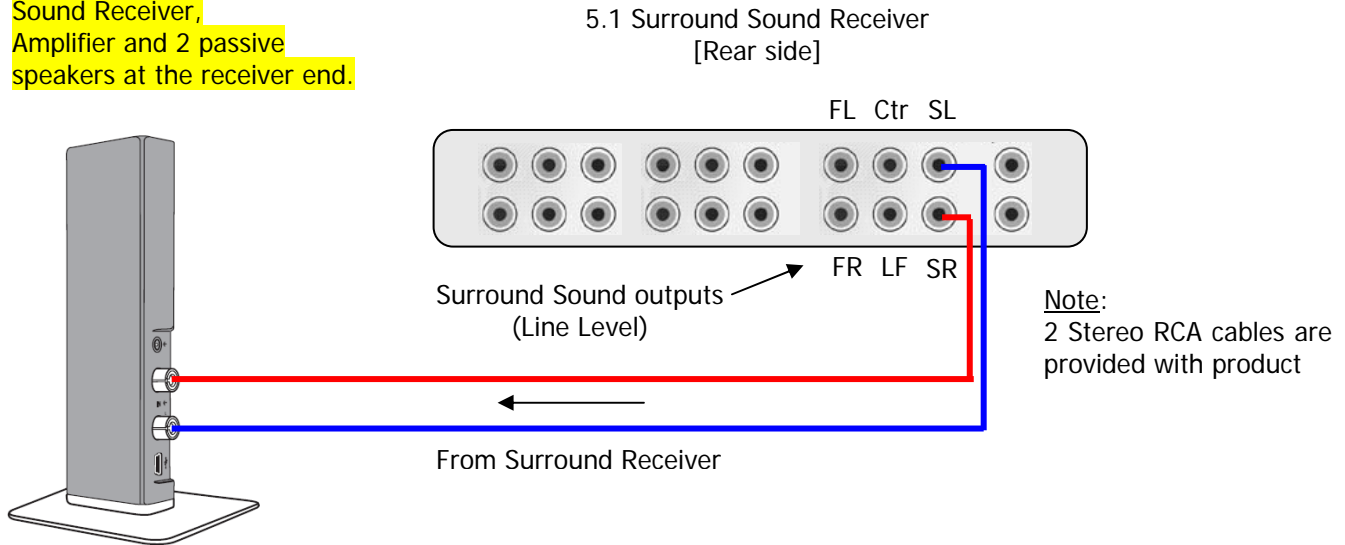
Note:
 Speakers shown in this diagram are Powered Speakers.
 If passive speakers are used, an amplifier between the SubCast Receiver and the Speakers will be required.

* Drawing is not to scale

Surround Sound applications using the SubCast System

Application Diagram **SUBCAST-SR#2**

Using the SubCast System with a line level output Surround Sound Receiver, Amplifier and 2 passive speakers at the receiver end.

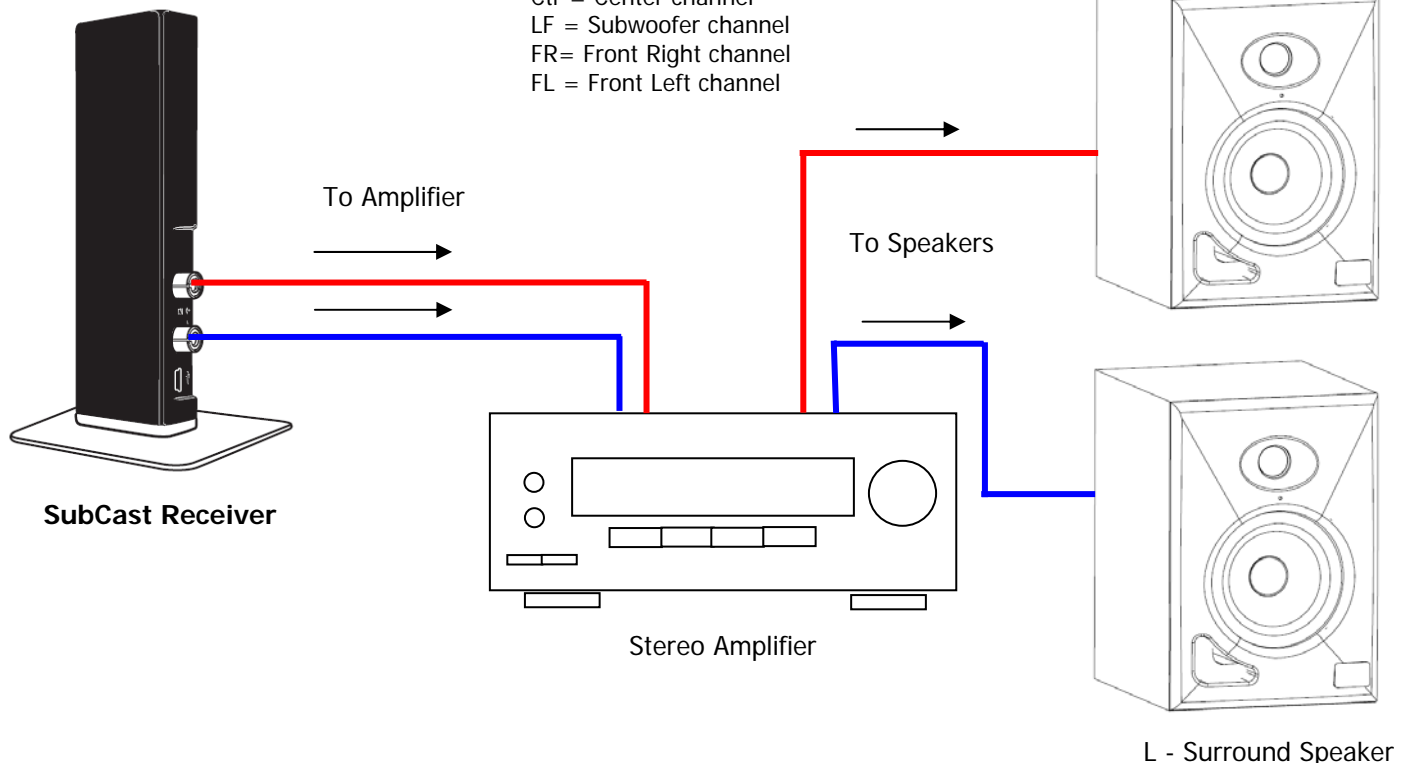


SubCast Transmitter

5.1 Audio Receiver abbreviations.

SL = Surround Left channel
SR = Surround Right channel
Ctr = Center channel
LF = Subwoofer channel
FR = Front Right channel
FL = Front Left channel

R - Surround Speaker



* Drawing is not to scale