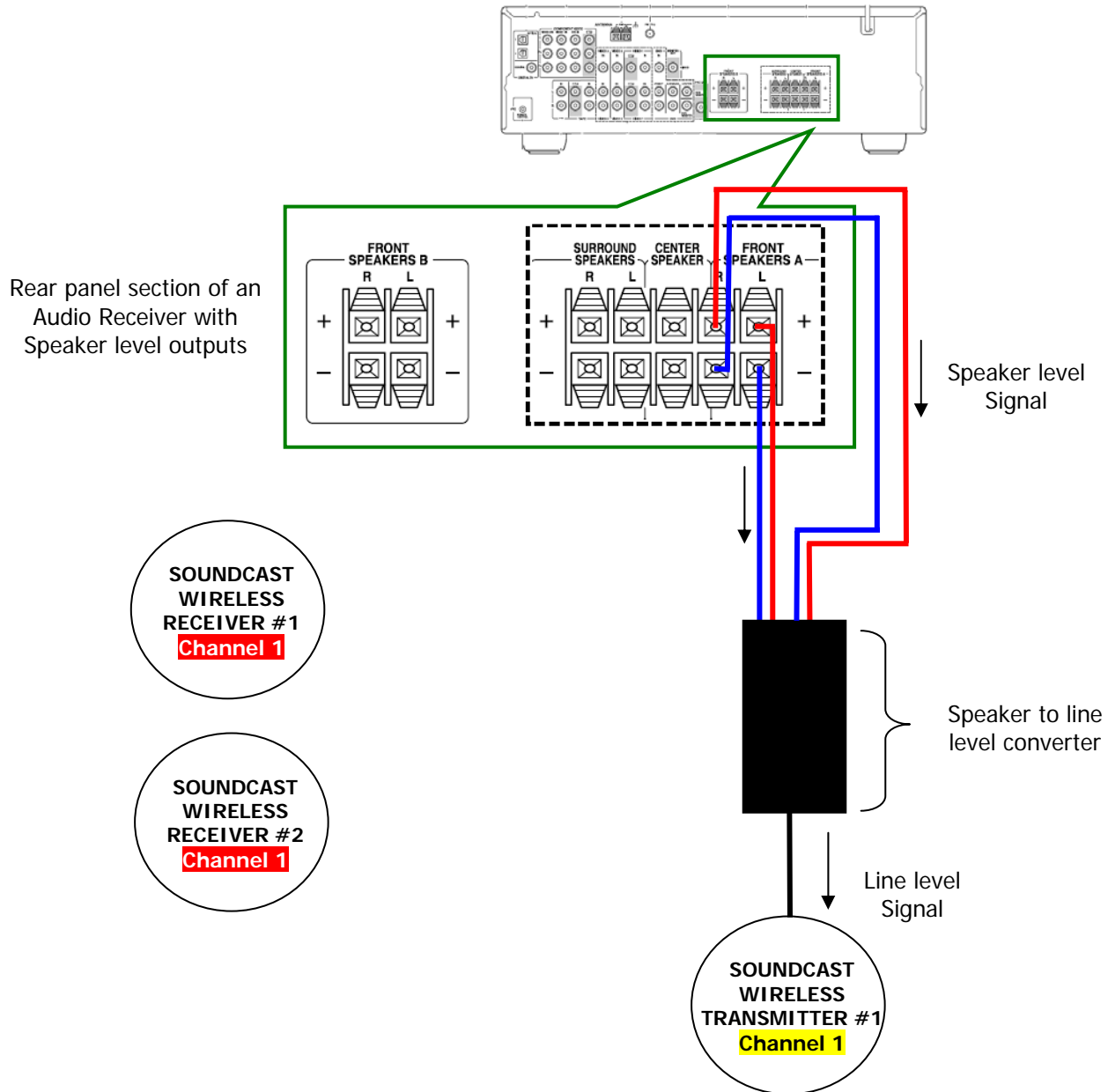


# Speaker Level to Line Level applications

## **Application diagram** **SPK/LL #1**

### Using the SubCast System in a Speaker level scenario

If your Audio equipment doesn't have any line level outputs available, you can still connect it to any Soundcast transmitter. Simply get a **Speaker to line level converter** and connect it as shown on the diagram. You can get this small converter/adaptor at most home electronics stores or you can get it directly from us. Visit [www.SoundcastSystems.com](http://www.SoundcastSystems.com) or call 1-800-722-1293.



### HOW MANY RECEIVERS?

You can link up to 2 receivers to any Soundcast transmitter. In order to do this you will need to set transmitter and receivers to the same wireless channel.

### SOUNDCAST WIRELESS RECEIVER OPTIONS:

The setup depicted here is compatible with all Soundcast wireless receivers, which include:

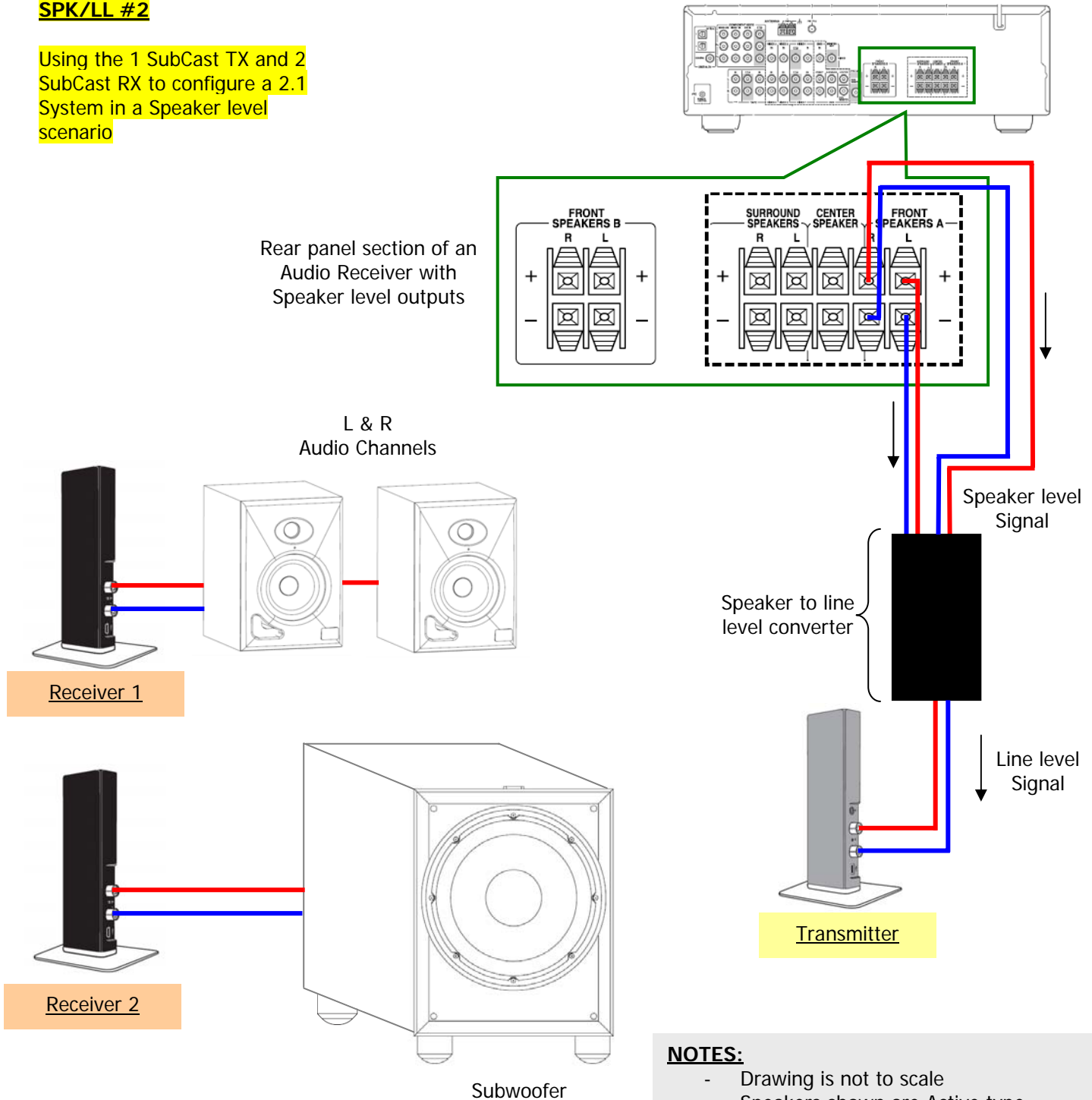
- OutCast
- OutCast Jr.
- SpeakerCast
- iCast RX

# Speaker to Line Level applications

If your Audio equipment doesn't have any line level outputs available, you can still connect it to any Soundcast transmitter. Simply get a **Speaker to line level converter** and connect it as shown on the diagram. You can get this small converter/adaptor at most home electronics stores or you can get it directly from us. Visit [www.SoundcastSystems.com](http://www.SoundcastSystems.com) or call 1-800-722-1293.

## Application diagram SPK/LL #2

Using the 1 SubCast TX and 2 SubCast RX to configure a 2.1 System in a Speaker level scenario



### NOTES:

- Drawing is not to scale
- Speakers shown are Active type  
If passive speakers are used, an amplifier will be required at each receiver end.
- Subcast receivers are not sold separately; they come in a kit (Transmitter, Receiver).